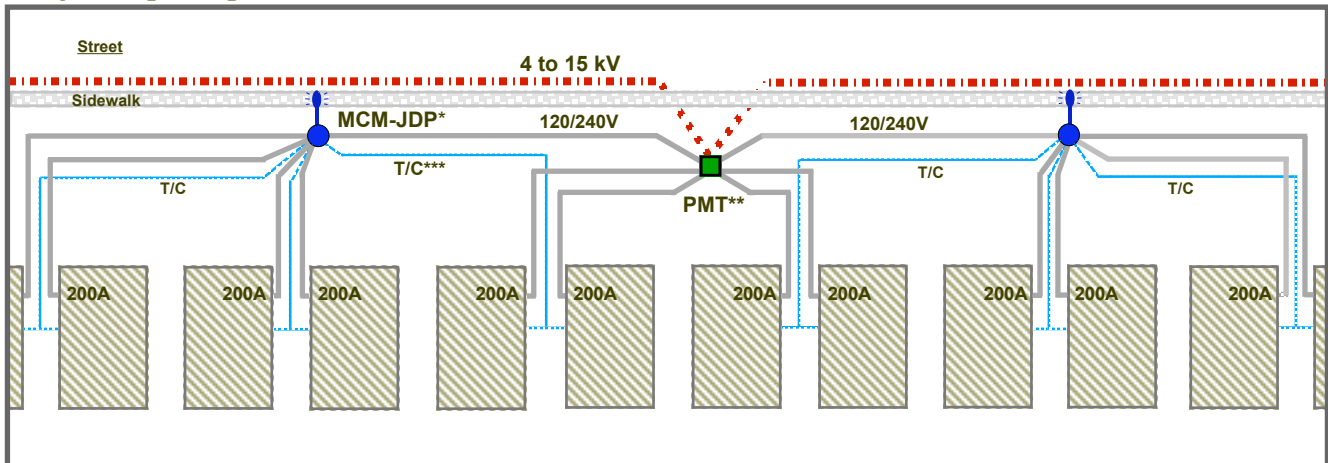


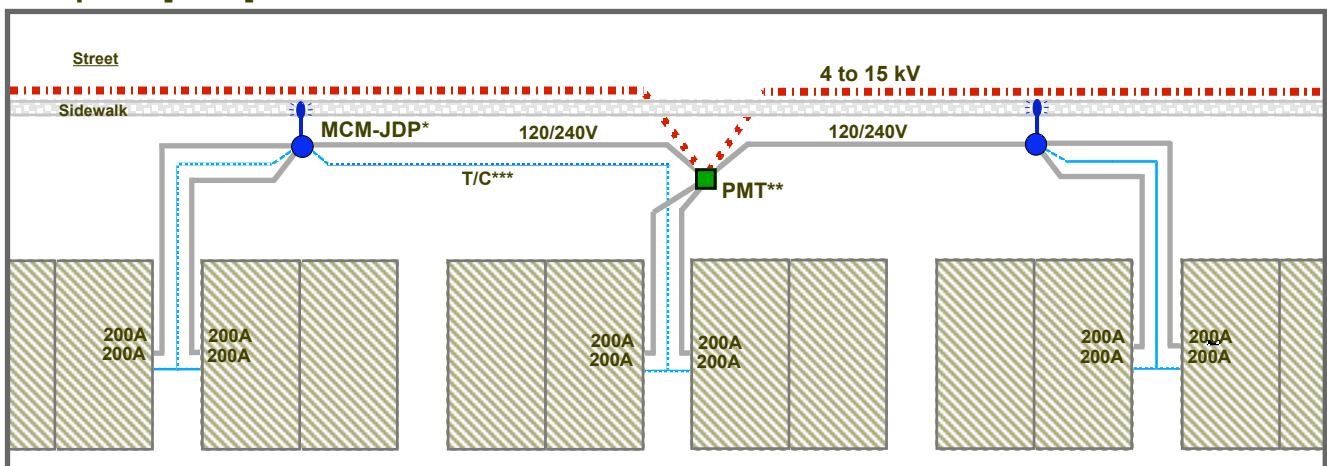
MCM-JDP™ Application Options [120/240V]

Option [3 x 4] individual :



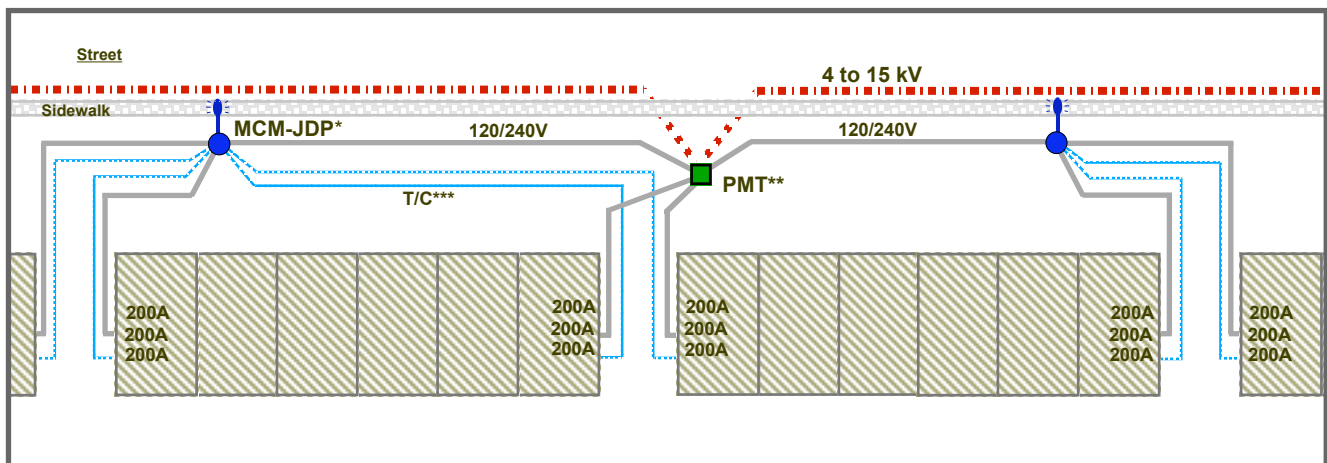
*MCM-JDP : Power + T/C joint distr. pedestal of type MCM-E2CT or E2F2 / **PMT : Padmount Transformer 100-167 kVA. 14,4kV(or 4 kV)-120/240V / ***T/C : Telecom.

Option [3 x 4] twin :



*MCM-JDP : Power + T/C joint distr. pedestal of type MCM-E2CT or E2F2 / **PMT : Padmount Transformer 100-167 kVA. 14,4kV(or 4 kV)-120/240V / ***T/C : Telecom.

Option [3 x 6] multi :



*MCM-JDP : Power + T/C joint distr. pedestal of type MCM-E2CT or E2F2 / **PMT : Padmount Transformer 167 kVA. 14,4kV(or 4 kV)-120/240V / ***T/C : Telecom.