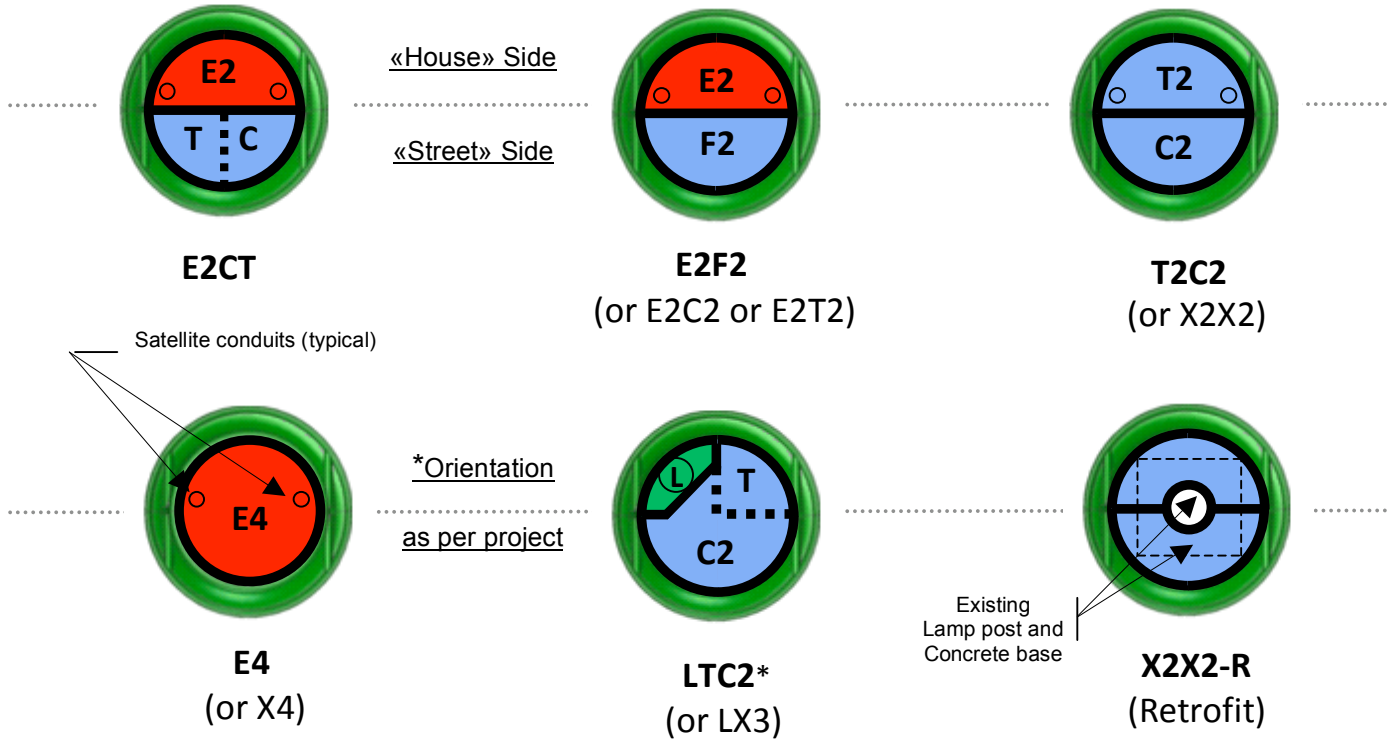
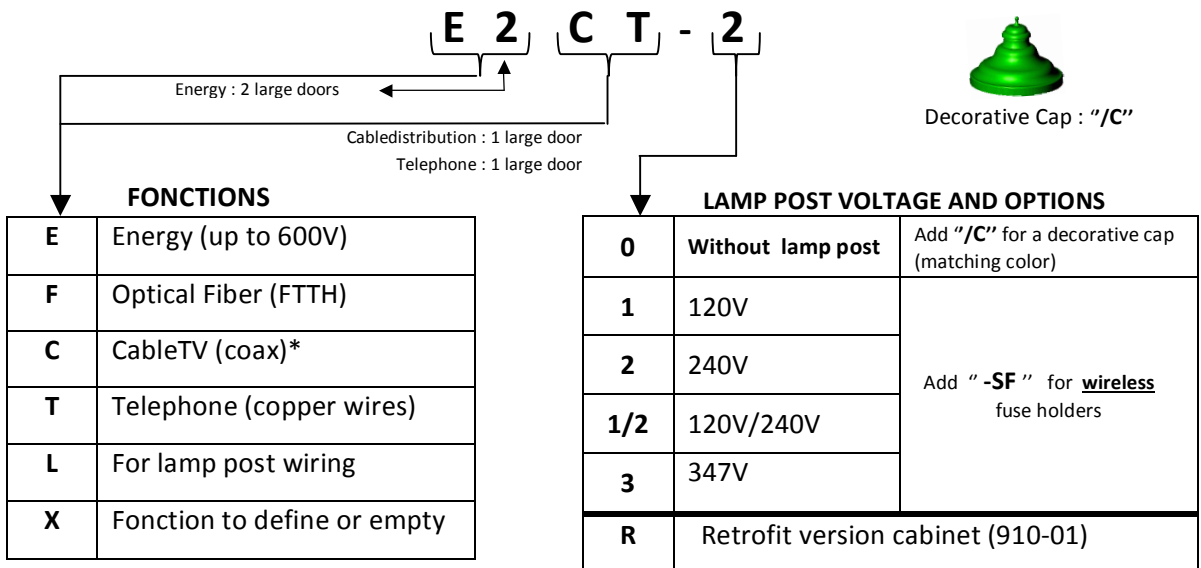


MODELS OF MCM-JDPs™ – SELECTION TABLE



LEGEND AND EXAMPLES OF CONFIGURATION



*For modules C2, C3, if required, specify the support hardware separately using the **CableTV Supports List**.

NOTE : For any other configuration or application, please communicate with MCM at 514 481-9191 or via <info@mcmstructures.com>

Other typical example: **LTC2-1/2-SF**